

Data Sheet

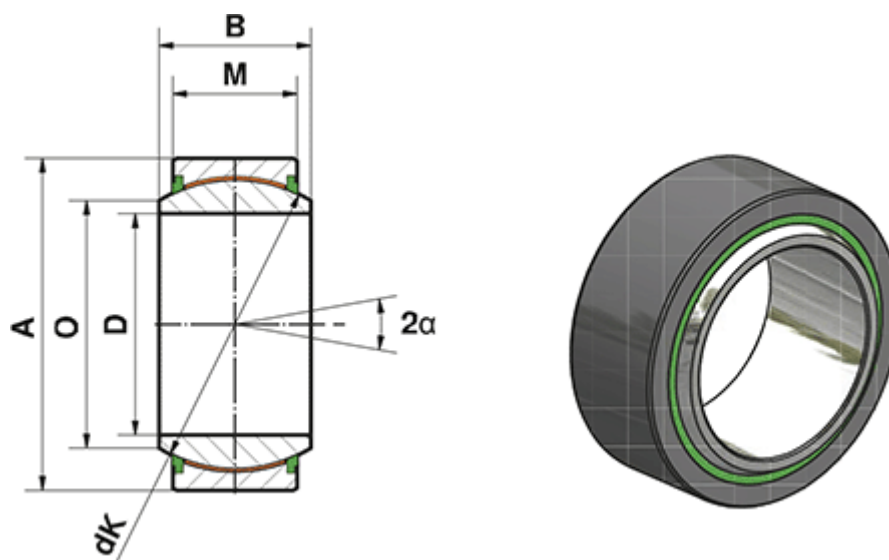


Article number: 03445240

Description: Fluro Heavy Duty Spherical Plain Bearing GE 240 EW-2RS
Hole \varnothing 240

Note: 240

Measures



A	= 240	Static load C0 (kN) = 12000
a (degrees)	= 8	Weight (g) = 39000
B	= 140	
D	= 240	
dk	= 300	
Dynamic load C (kN)	= 7200	
M	= 100	
O	= 265.3	